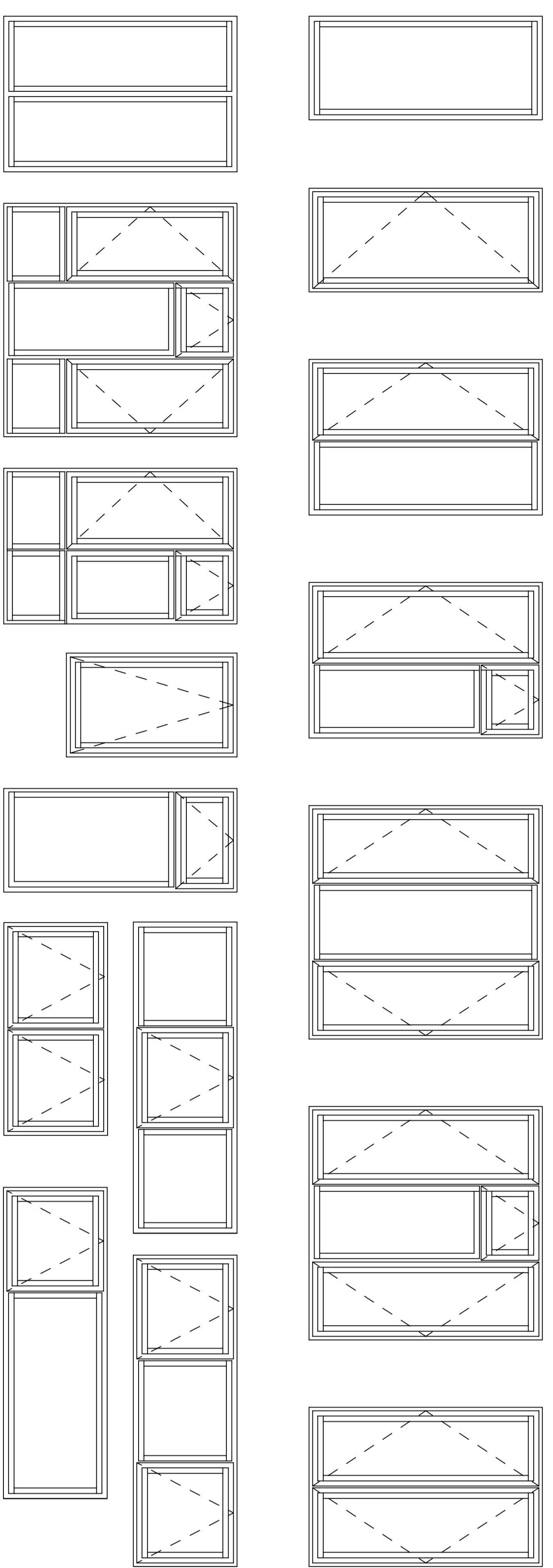
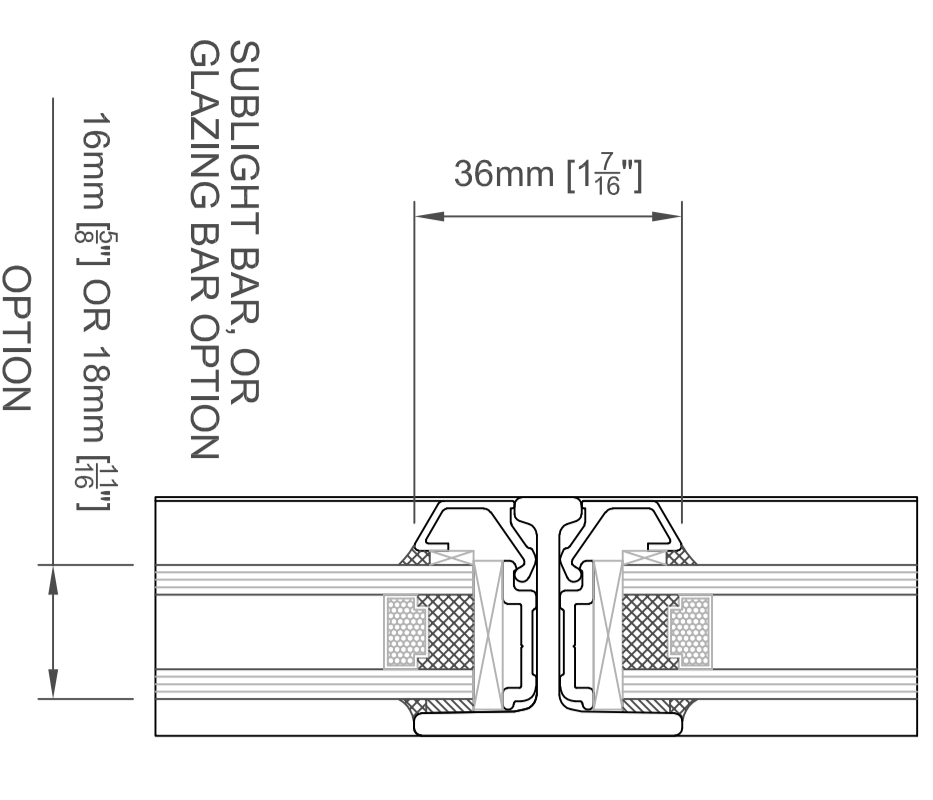
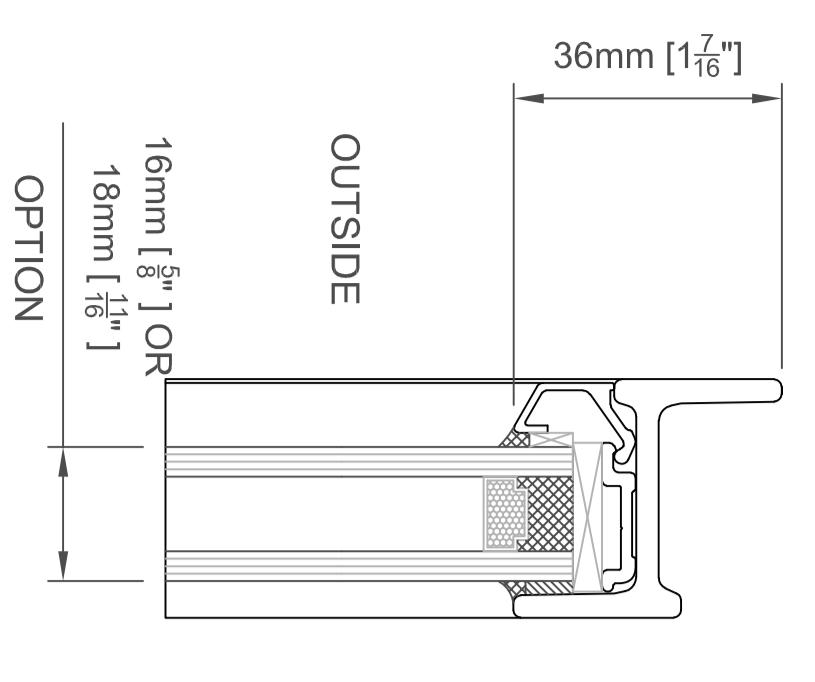


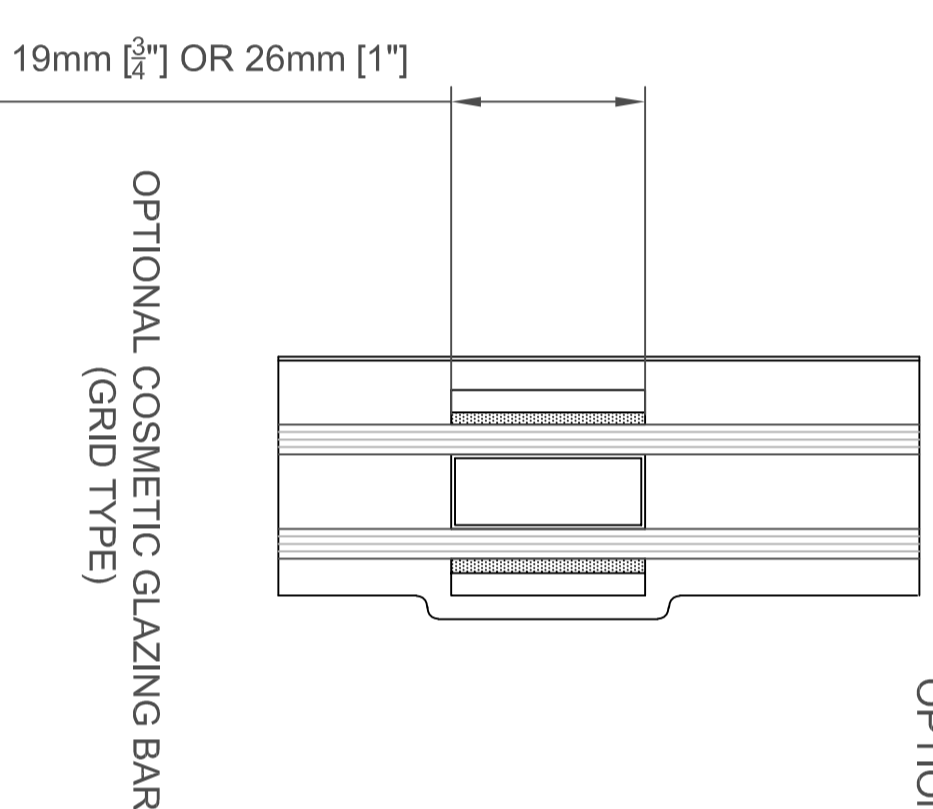
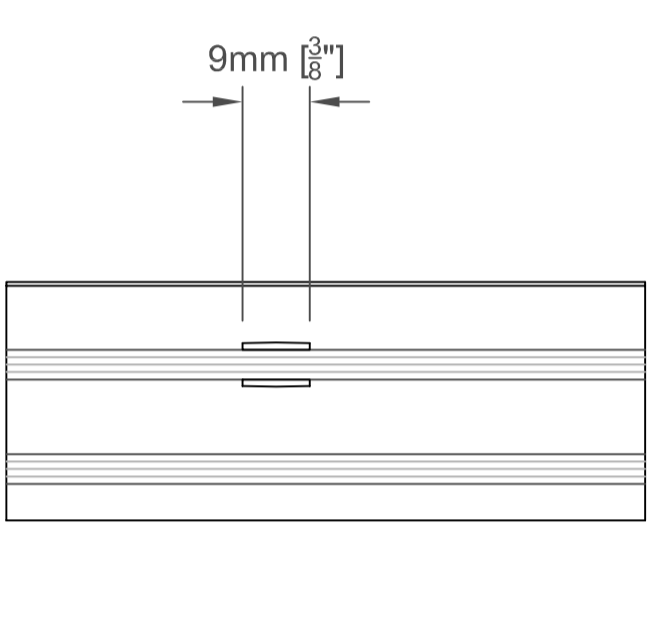
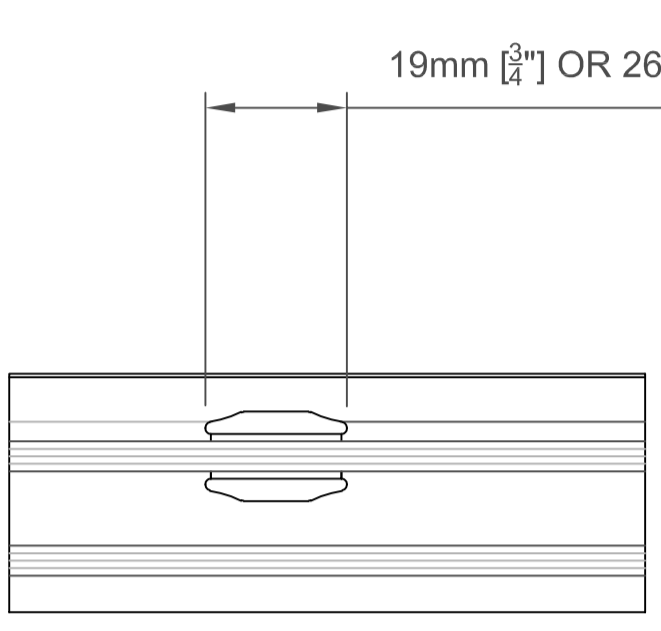
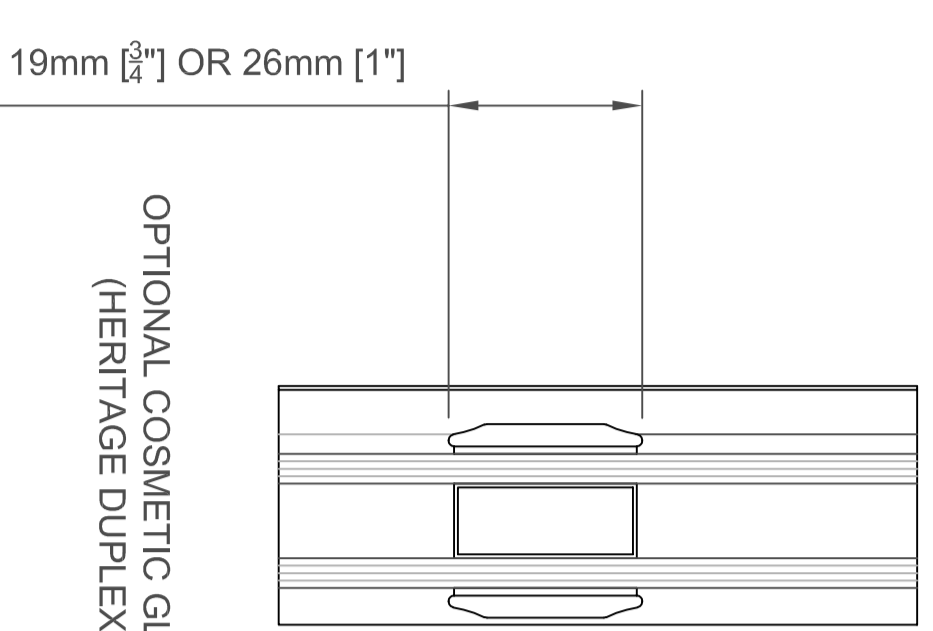
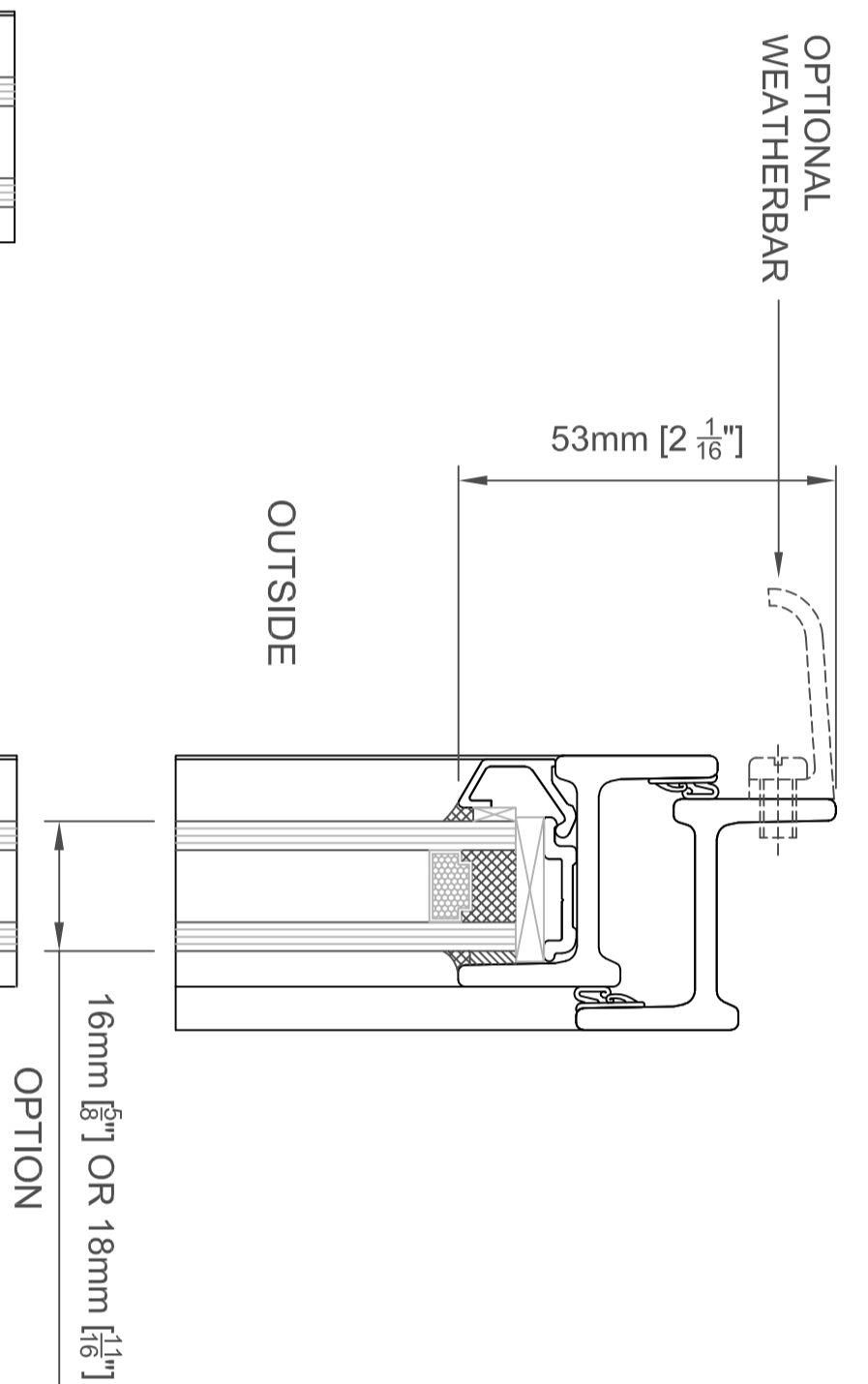
PRODUCT RANGE (VARIATIONS ARE POSSIBLE - CONSULT CRITTALL)



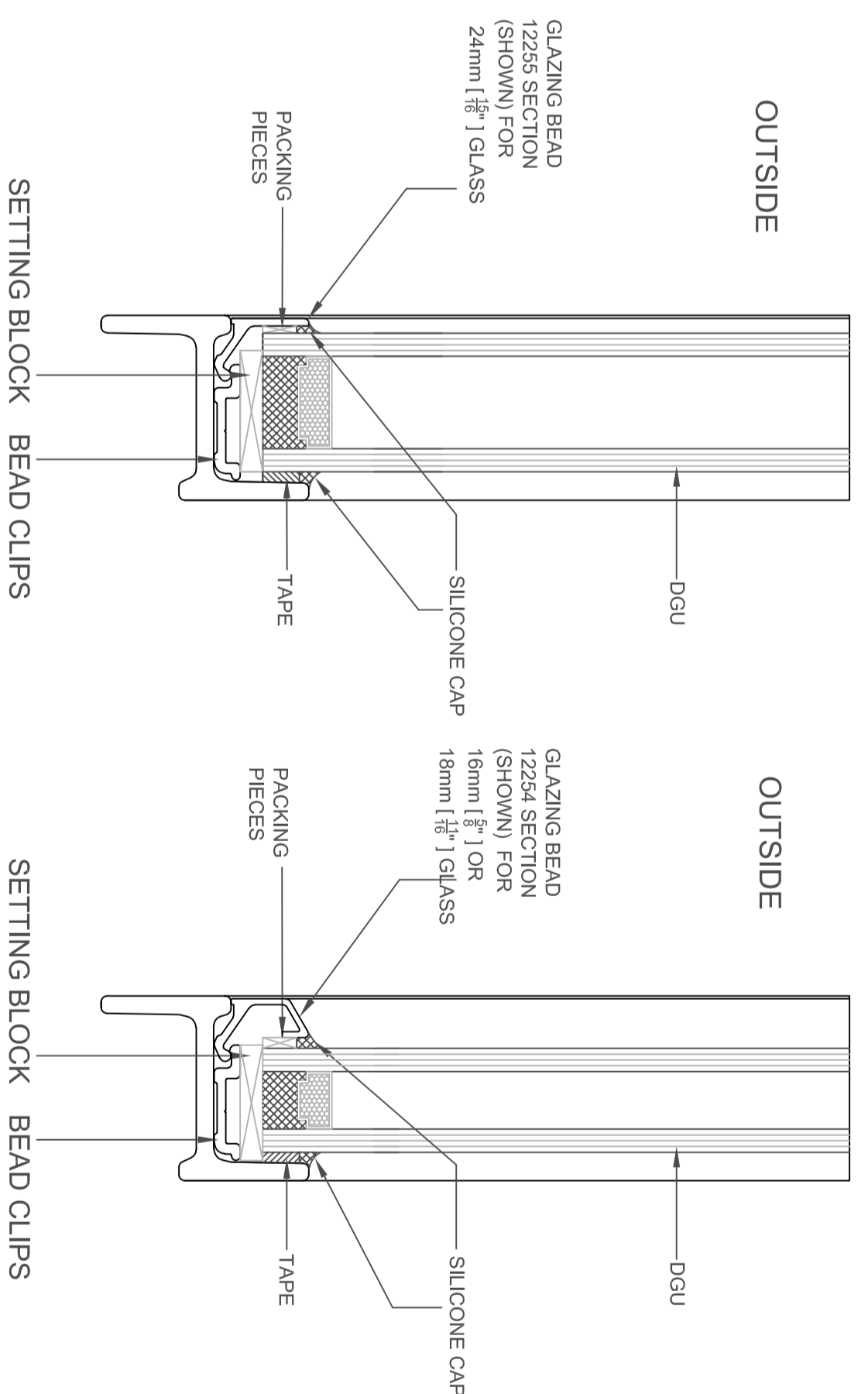
FIXED LIGHT



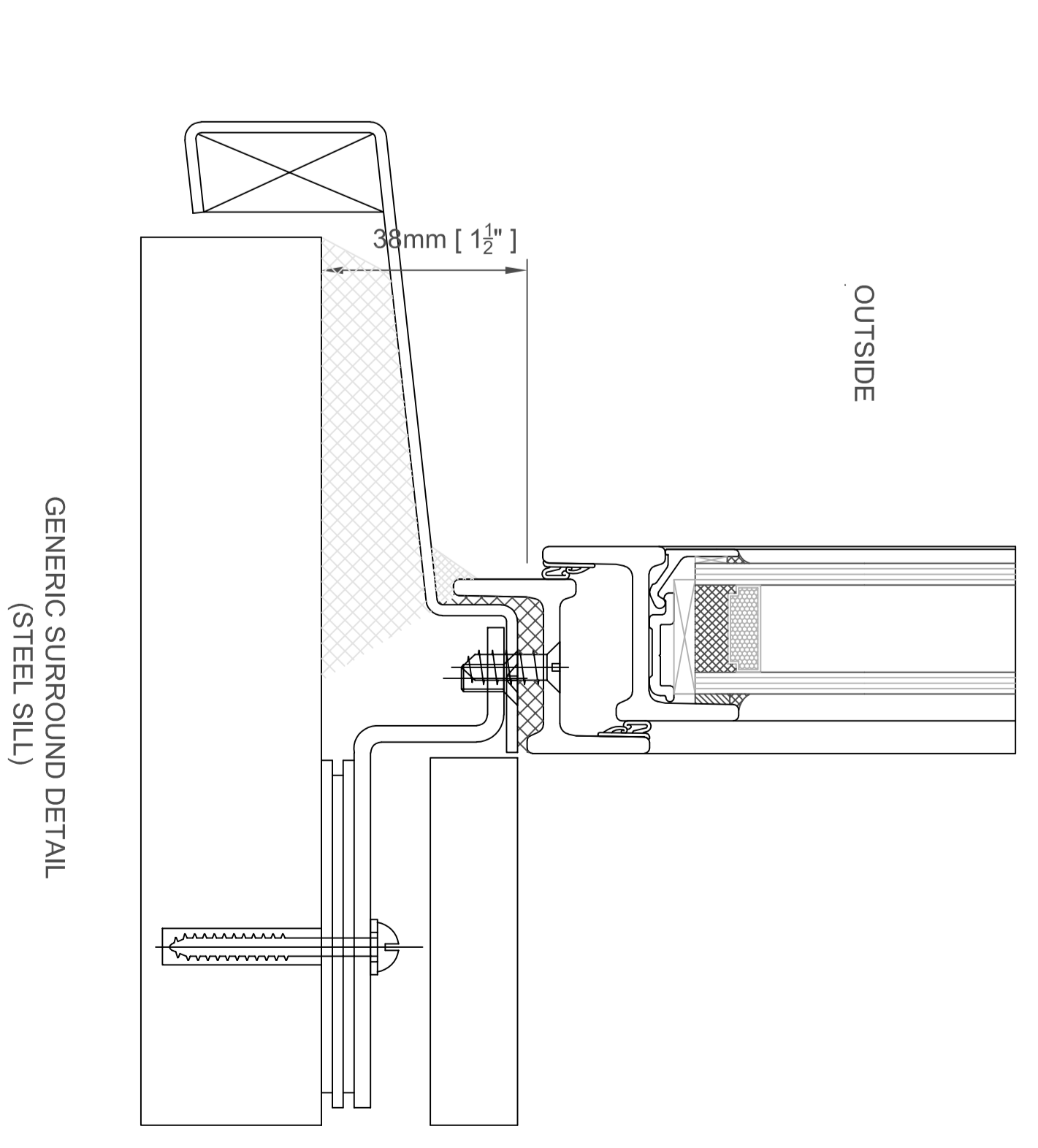
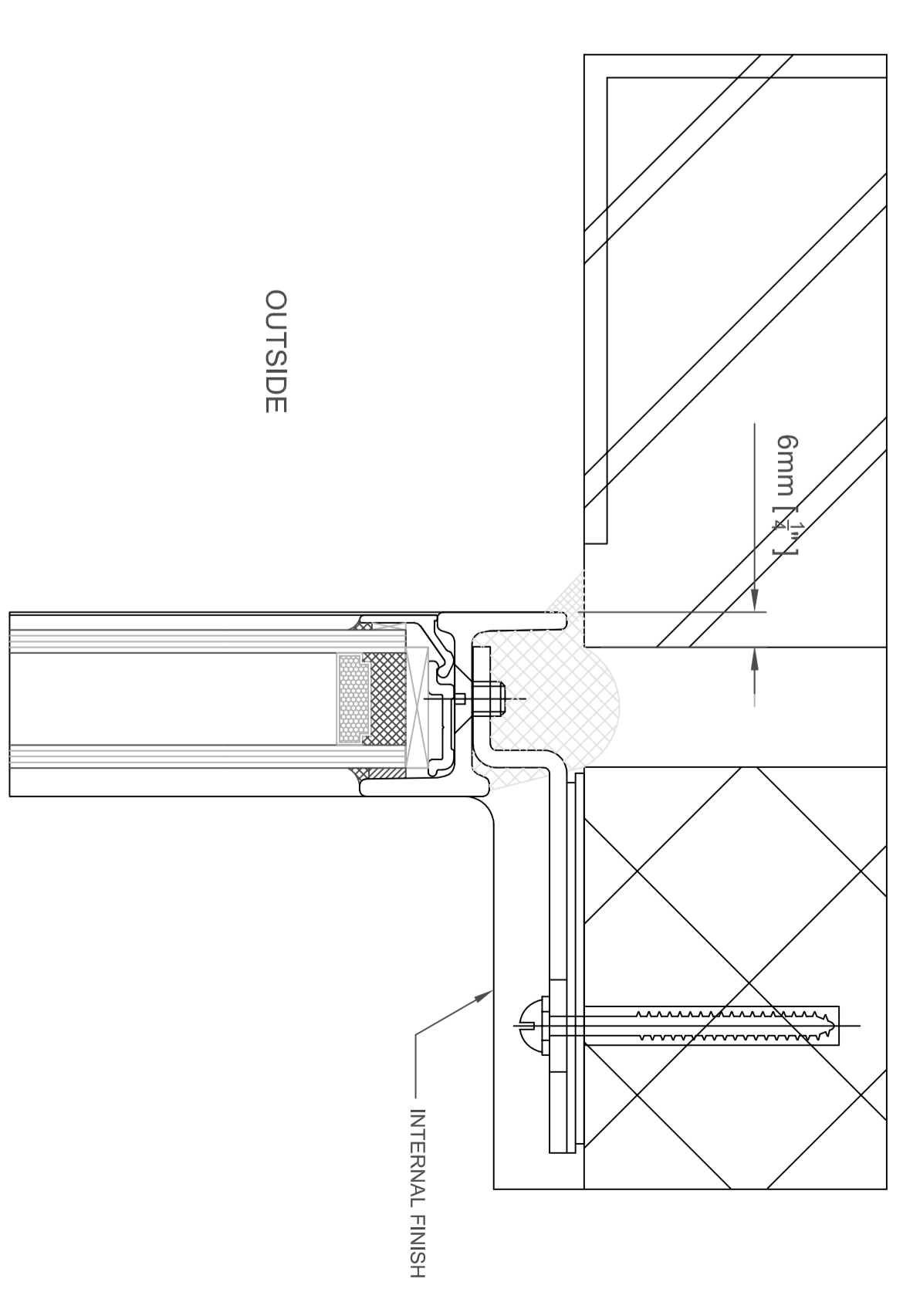
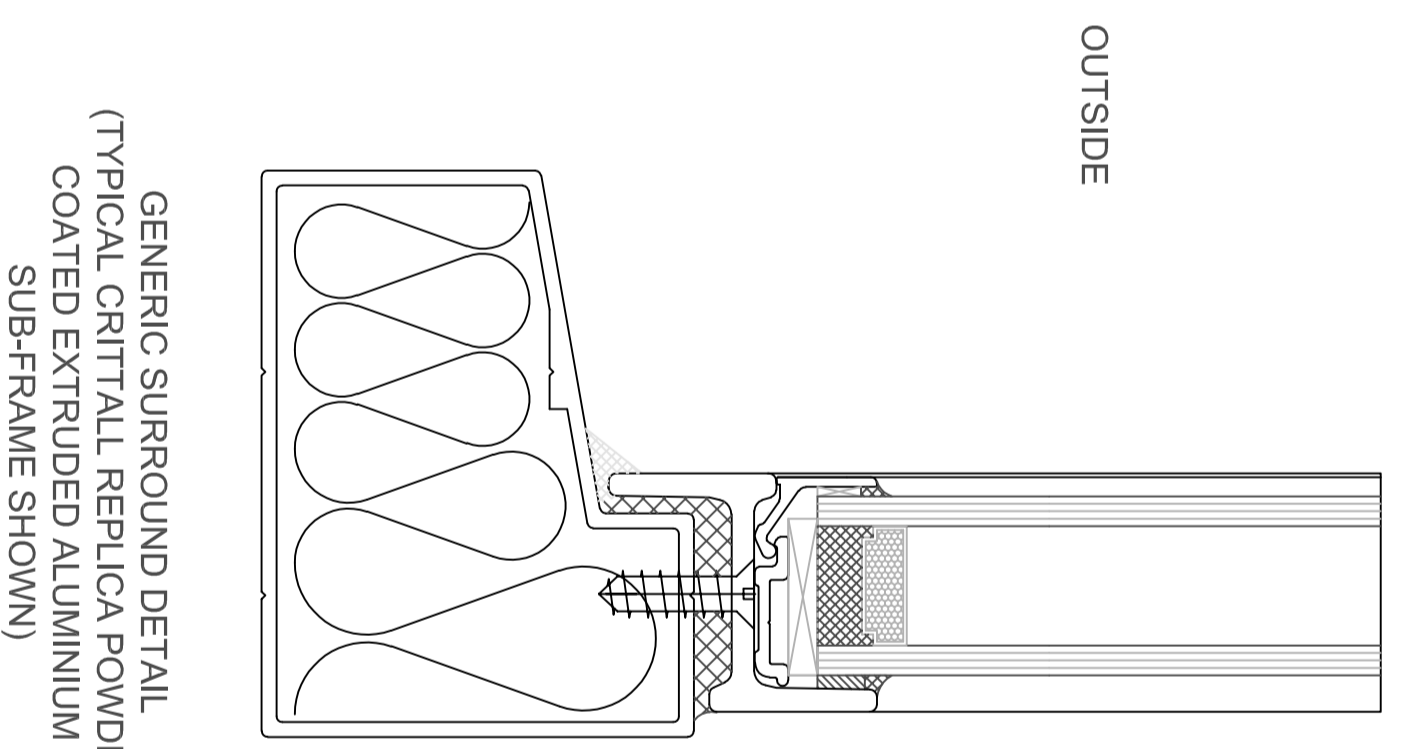
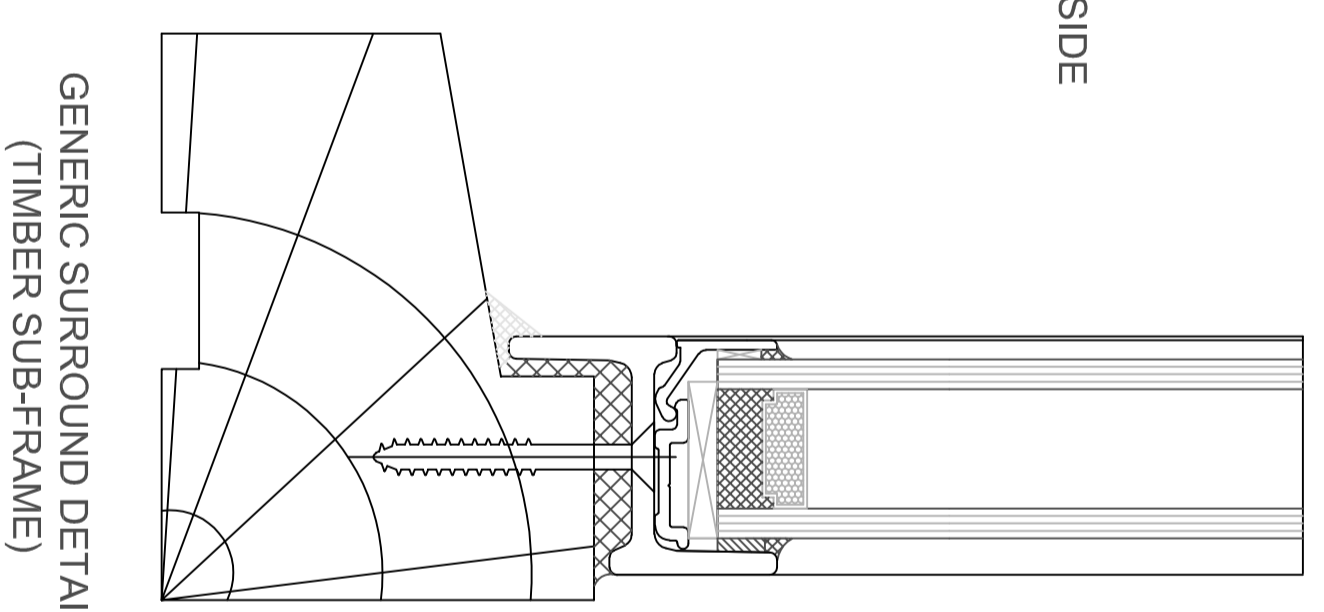
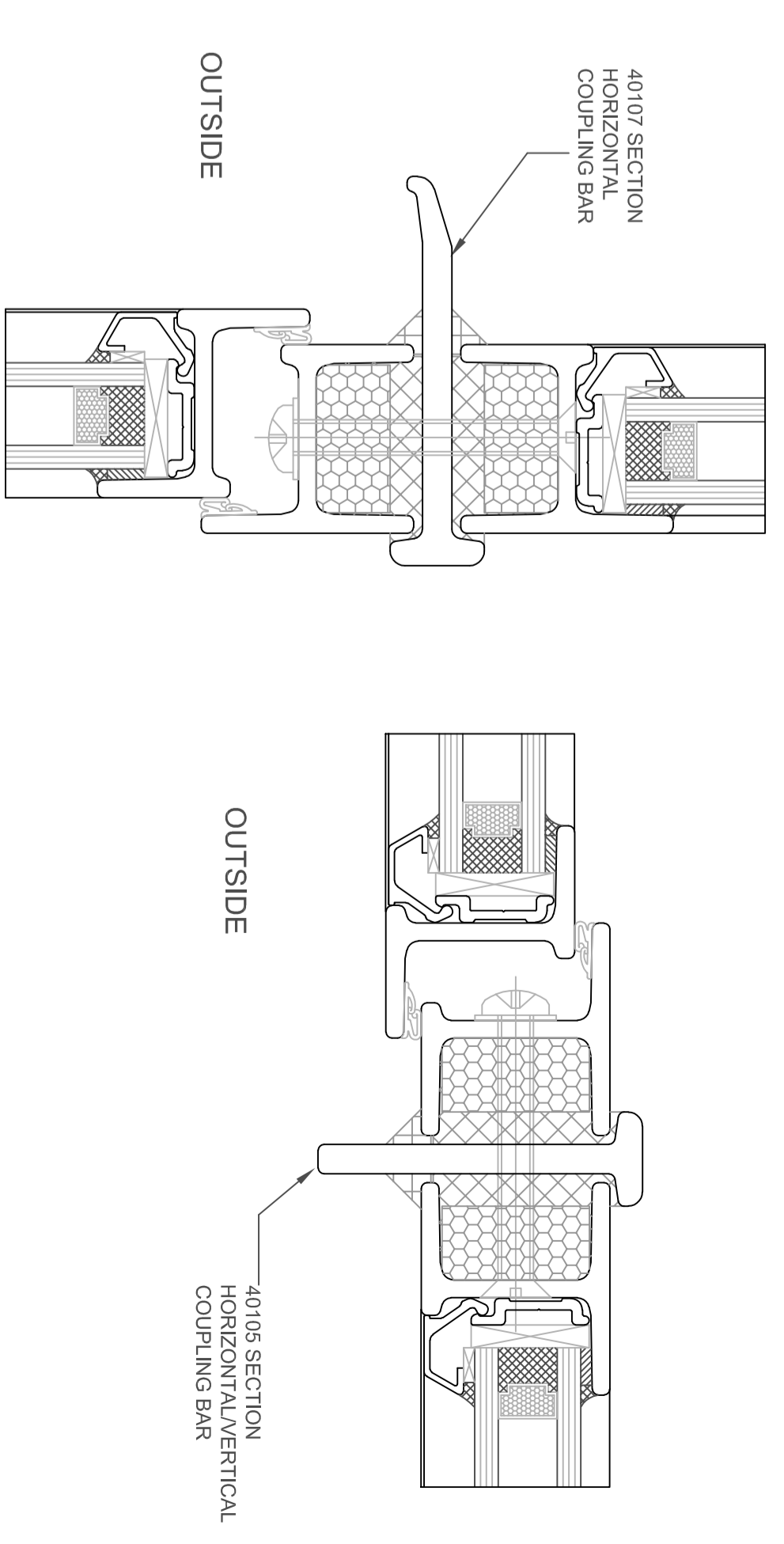
OPEN OUT VENT



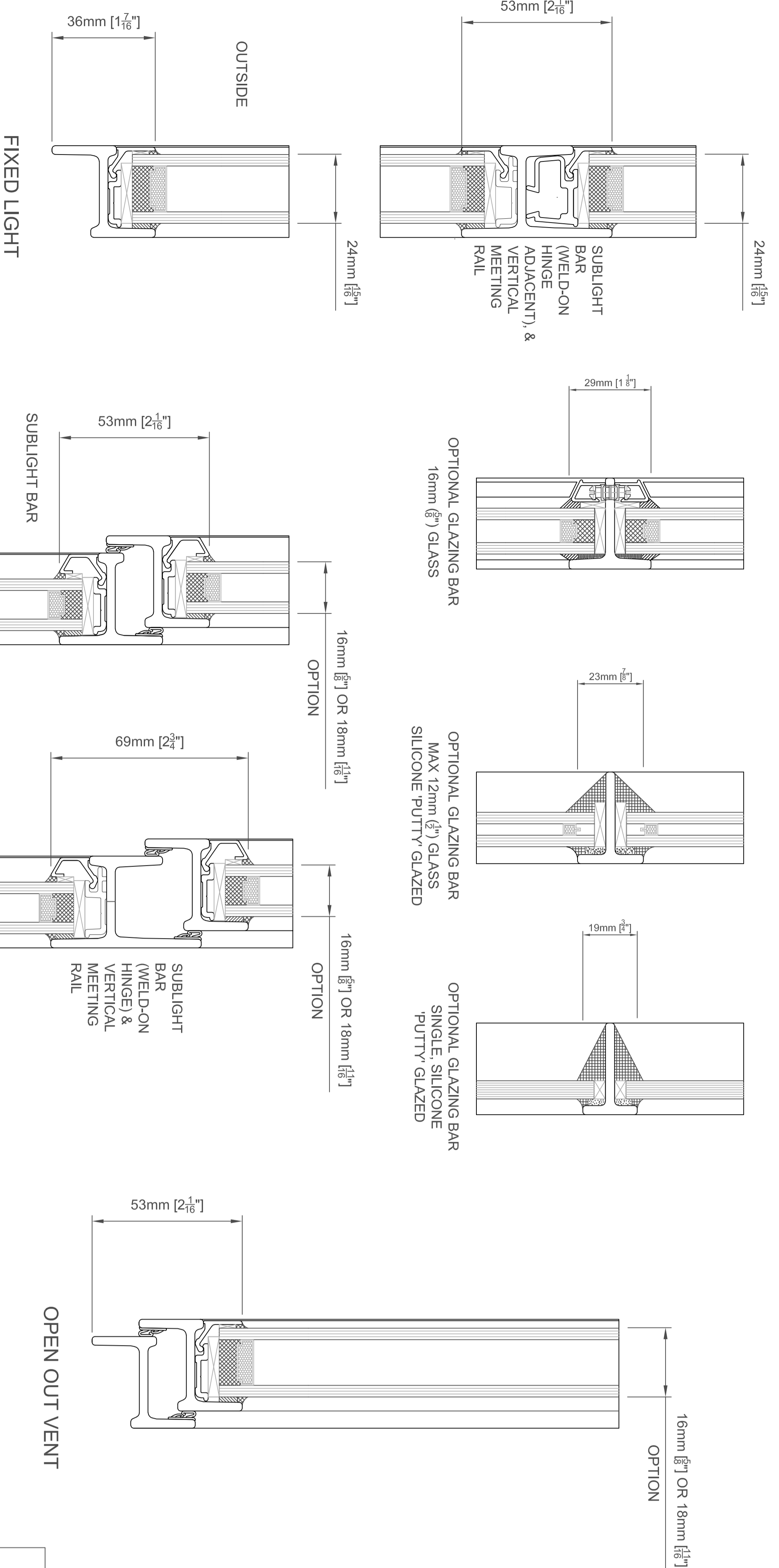
TYPICAL GLAZING DETAILS



TYPICAL COUPLING DETAILS



GENERIC SURROUND DETAILS



JAMB DETAILS ARE SIMILAR TO HEAD AND SILL



CRITTALL® IS A REGISTERED TRADE MARK OF CRITTALL WINDOWS LIMITED  
THE FOLLOWING DESIGN REGISTRATIONS APPLY TO THIS PRODUCT: COMMUNITY REGISTERED DESIGN NOS. 002337940-0011, 002337940-0002, 002337940-0003  
CRITTALL® IS A REGISTERED TRADE MARK OF CRITTALL WINDOWS LIMITED  
THE FOLLOWING DESIGN REGISTRATIONS APPLY TO THIS PRODUCT: COMMUNITY REGISTERED DESIGN NOS. 002337940-0011, 002337940-0002, 002337940-0003  
HOMELIGHT PLUS™ WINDOW FRAME PROFILES

REF HP 01/20