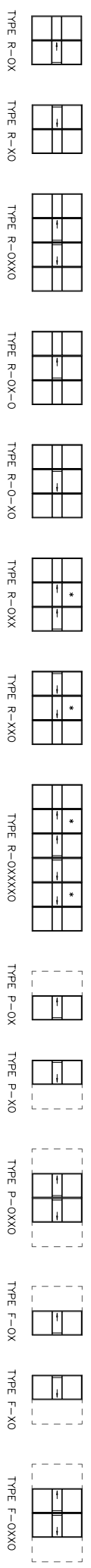
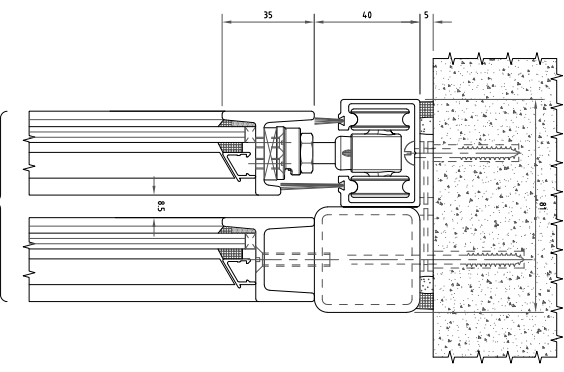


DO NOT SCALE

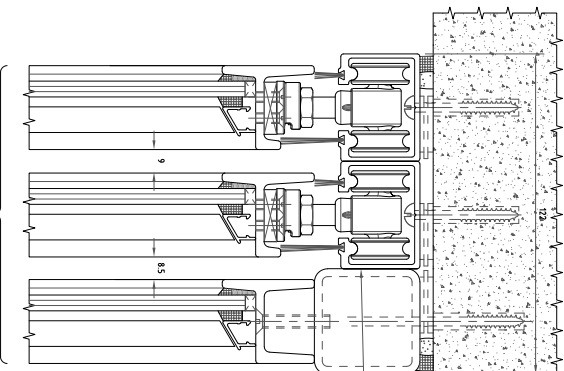
TYPE R = FIX INTO REBATE, TYPE F = FACE-FIX, TYPE P = POCKET DOOR
 O = FIXED LEAF, X = MOVING LEAF, * LEAVES MOVE INDEPENDENTLY



FIT TO REBATE TYPES



FIT TO REBATE TYPES

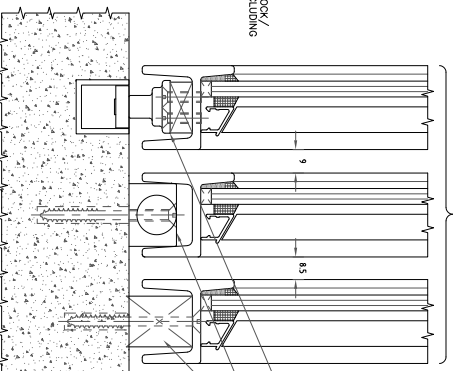
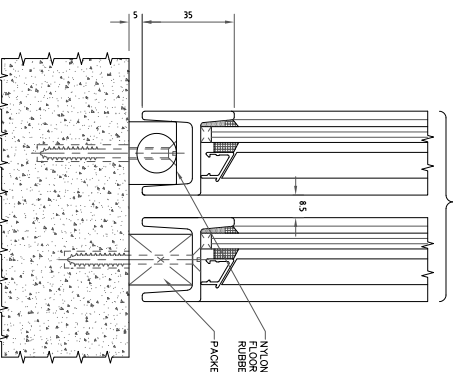


40 x 40 x 3 SHG TUBE AND 5mm BLACK PLASTIC END CAP
 HANSENSEN SH TUBE 120 SLIDING SYSTEM
 AT HEAD:
 120 SERIES ALUMINIUM TRACK
 BS 10 & 25mm BRUSH STRIPS
 51/130/SS HANDERS
 HH/SS TRACK STOPS

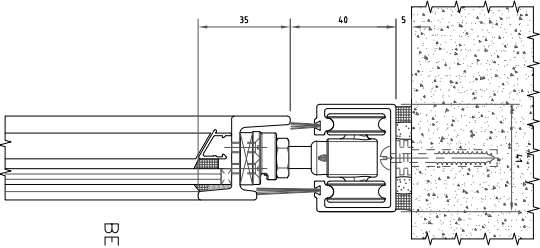
BEAD SIDE

TYPES R-OX, R-XO, R-OXXO, R-OX-O

TYPES R-OXX, R-XXO, R-OXXXX

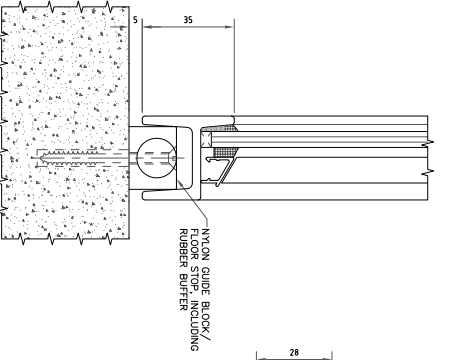


POCKET DOOR TYPES

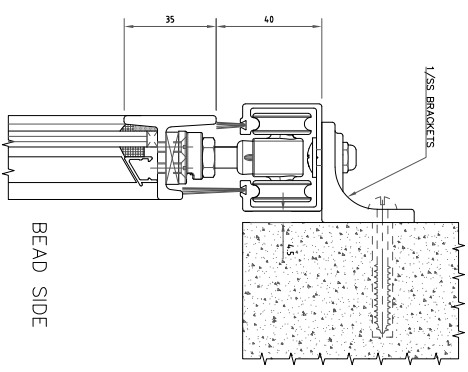


BEAD SIDE

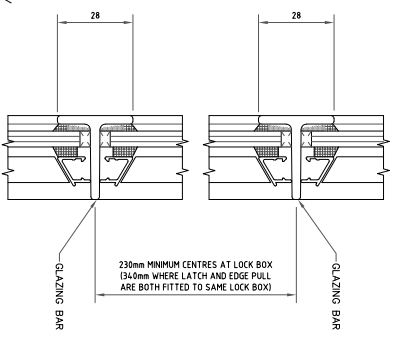
OPTIONAL ALTERNATIVE
 GLAZING DIRECTION SHOWN
 (AVAILABLE FOR ALL TYPES)



FACE-FIX TYPES



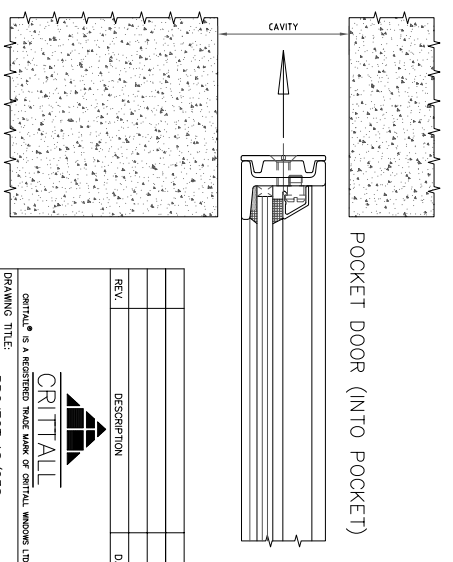
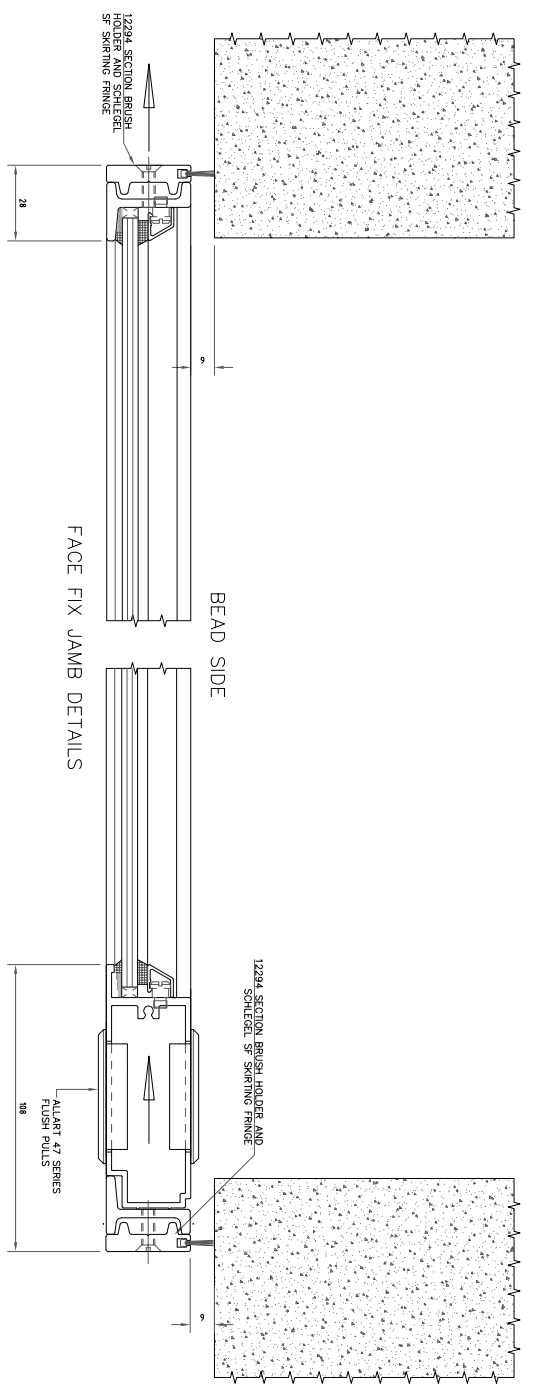
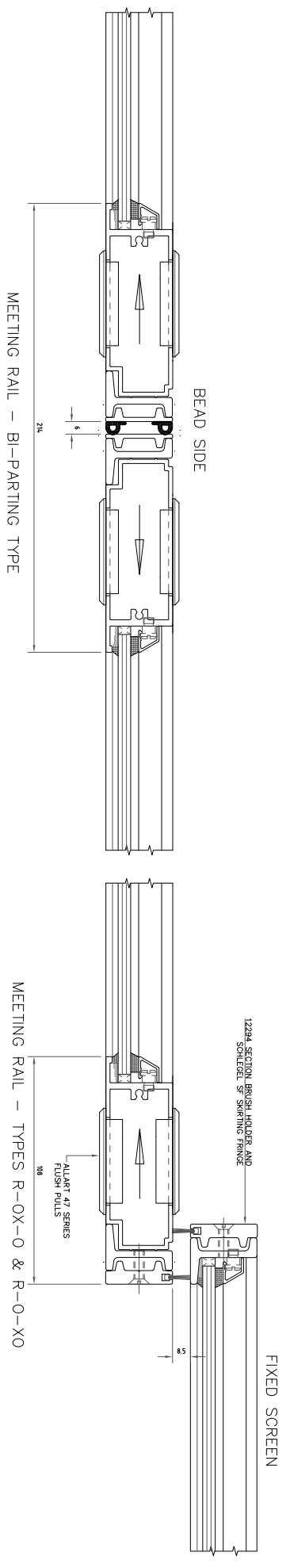
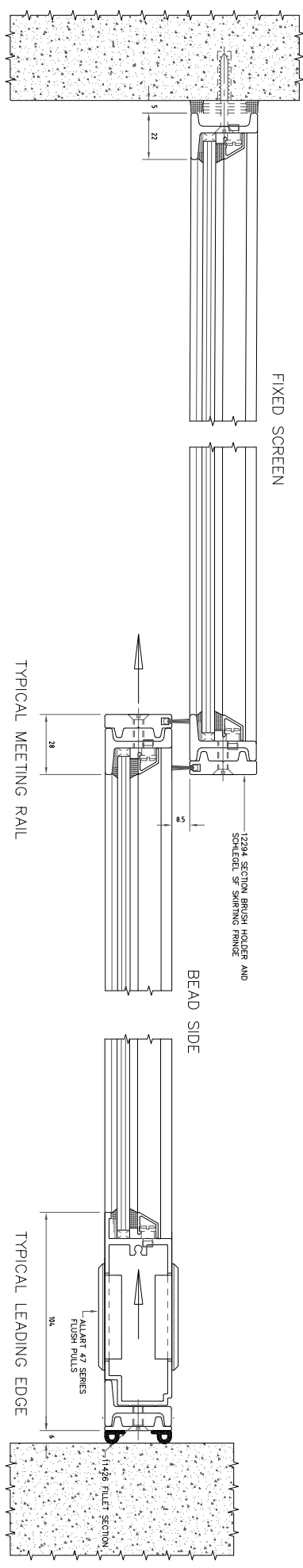
BEAD SIDE



FIT TO REBATE TYPES

FIT TO REBATE TYPES

POCKET DOOR AND FACE-FIX TYPES



REV.	DESCRIPTION	DATE



CRITALL is a registered trade mark of CRITALL WINDOWS LTD

DRAWING TITLE: PROJECT 18/238
INNERVISION W20 SLIDING DOOR
BASIC ARRANGEMENT - SHEET 2 OF 2

DRAWN: P. R. SMITH DATE: 5 JULY 2018 SCALE: 1:1

DRAWING NUMBER: PRS/TS/SK659

REVISION (SEE ABOVE):